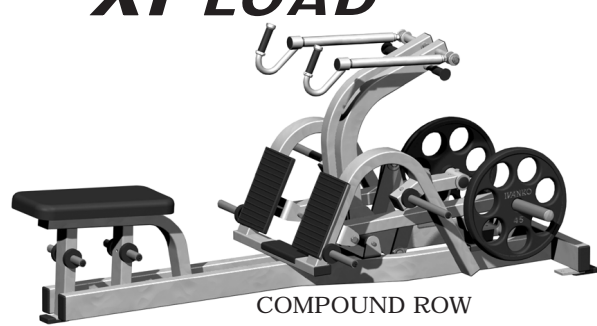


# NAUTILUS XPLOAD



COMPOUND ROW



SEATED CALF



OVERHEAD PRESS



LAT PULLDOWN



INCLINE PRESS



VERTICAL CHEST



LEG PRESS



INCLINE LEG PRESS



BICEP CURL



LEG CURL PRONE



DEAD LIFT / SHRUG



TRICEP EXTENSION



SEATED DIP



LEG EXTENSION

# NAUTILUS XPLOAD PARTS DIAGRAM

## TRICEP EXTENSION 19-5232

REVISED:  
March 7, 2007

PARTS AND SERVICE u 709 Powerhouse Road u Independence,  
VA 24348

SERIAL # \_\_\_\_\_  
through \_\_\_\_\_

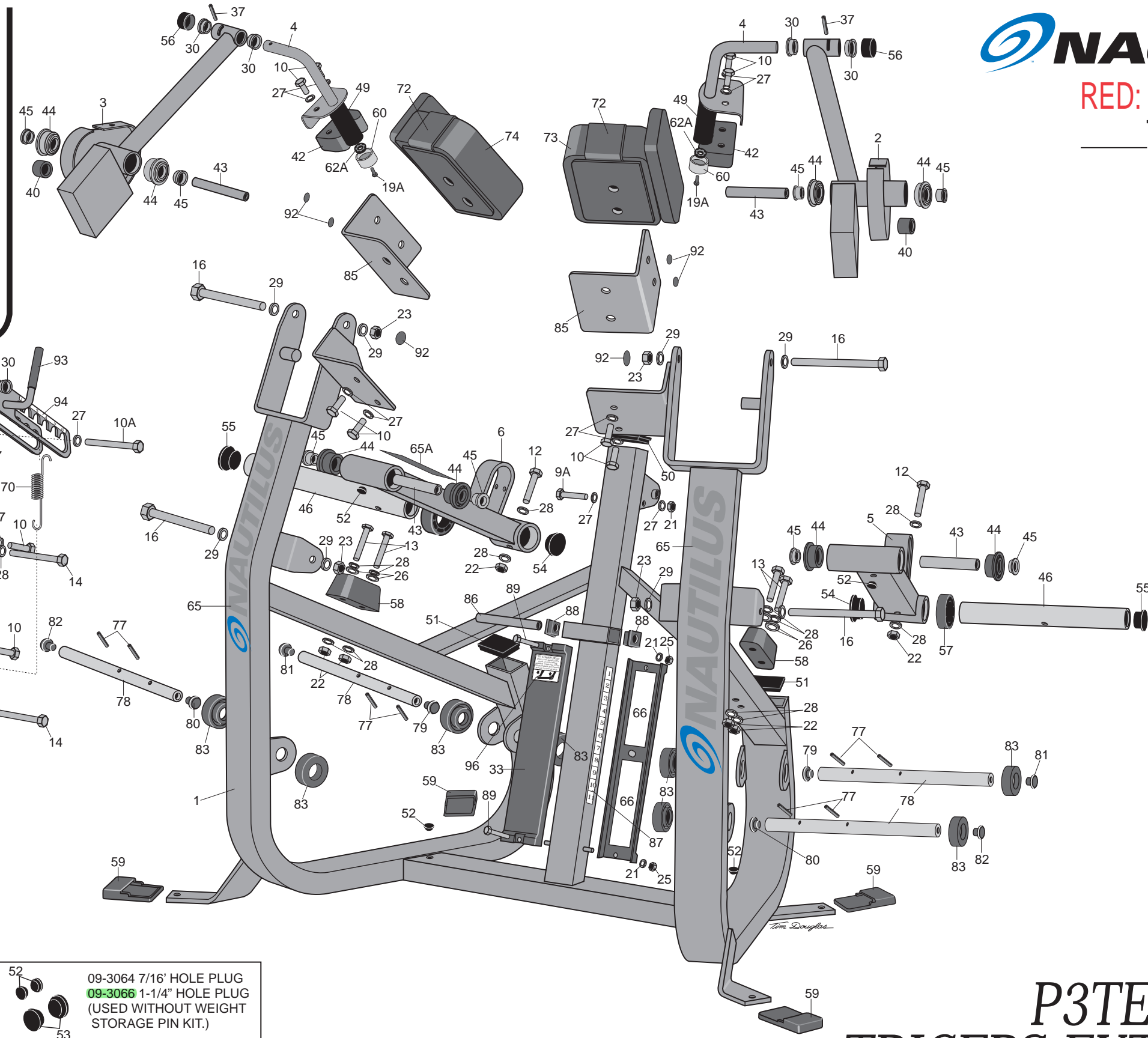
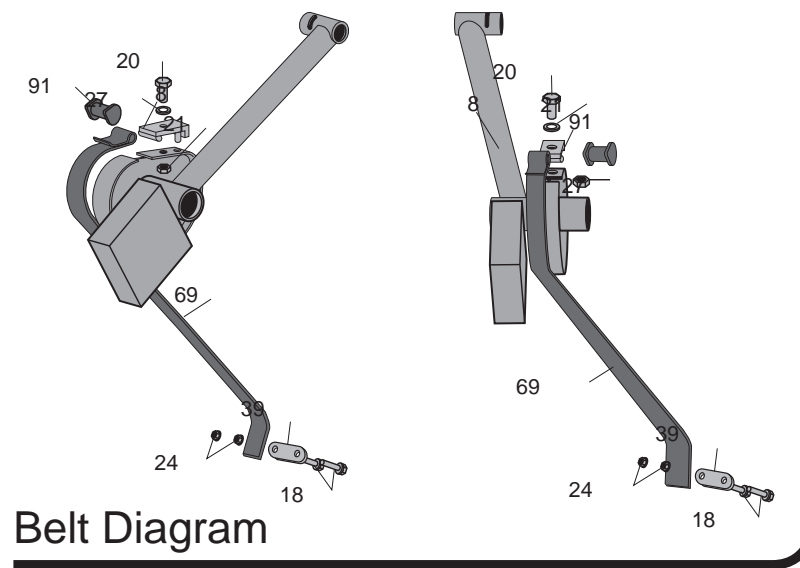
### P3TE P3 TRICEP EXTENSION COMP# COMPONENT DESCRIPTION

- 1 ...BSF332...BASE FRAME P3 TE
- 2 ...MA342...MOVEMENT ARM LEFT P3 TE
- 3 ...MA343...MOVEMENT ARM RIGHT P3 TE
- 4 ...HB604...TE MOVEMENT ARM HANDLE
- 5 ...WA333...WEIGHT ARM LEFT P3 BC
- 6 ...WA334...WEIGHT ARM RIGHT P3 BC
- 7 ...HB325...STD. SEAT ADJUST RACK
- 8 ...LK631...STD. BELT CLAMP ASSEMBLY
- 9 ...01-0011...BOLT HH5 1/2 X 4 1/2
- 9A ...01-1151...BOLT HH5 3/8 X 2 3/4
- 9B ...01-1553...BOLT HH5 3/8 X 4 1/4
- 10 ...01-1105...BOLT HH5 3/8 X 1 1/2
- 10A ...01-1566...BOLT HH5 1/2 X 5 1/2
- 11 ...01-1351...BOLT HH5 1/2 X 3 1/4
- 12 ...01-1550...BOLT HH5 1/2 X 3
- 13 ...01-1550...BOLT HH5 1/2 X 3 1/2
- 14 ...01-1565...BOLT HH5 1/2 X 5
- 15 ...01-1567...BOLT HH5 1/2 X 6
- 16 ...01-2182...5/8-18 X 2 HH5 BOLT
- 17 ...01-2283...BOLT HH5 5/8 X 8 5/8 (CUT-OFF)
- 18 ...01-4030...WHIZ FLANGE BOLT 1/4-20 X 1
- 19 ...02-4170...10-32 X 1/8 SET SCREW
- 19A ...02-2290...1/4 X 1 AFH SCREW
- 20 ...02-9250...BOLT HH5 3/8 X 2 1/4
- 21 ...03-1035...3/8-16 LOCK NUT
- 22 ...03-1055...1/2-13 LOCK NUT
- 23 ...03-1067...5/8-11 LOCK NUT
- 24 ...03-4290...1/4-20 WHIZ NUT FLANGE
- 25 ...03-5101...NUT BLACK 1/4-20
- 26 ...04-5207...1/2 FLAT WASHER
- 27 ...04-5213...3/8 INT LOK WASHER
- 28 ...04-5214...1/2 LOCK WASHER
- 29 ...04-5215...5/8 LOK WASHER
- 30 ...05-5100...IGUS BUSHING .875 ID. X .75 L
- 31 ...06-8180...RING SNAP 1/2 LD..5100-50 EXTERNAL THIN
- 32 ...06-8275...RING SNAP 17MM EXTERNAL
- 33 ...07-5032...MOLDED SEAT TRACK
- 34 ...07-5033...MOLDED SEAT TRACK 2
- 35 ...07-5034...MOLDED WHEELS
- 36 ...07-5064...6203 BALL BEARING
- 37 ...07-7015...GROOVE PIN 1/4" X 1"
- 38 ...07-8230...CLEVIS PIN 1/2 DIA X 4 1/2 L
- 39 ...07-8982...END STRAP CLAMP
- 40 ...07-9350...NYLON MA STOP
- 41 ...07-9376...SEAT BEARING SLEEVE
- 42 ...07-9399...UPH HAND PAD TE
- 43 ...07-9605...BEARING SLEEVE 1 OD X 5 33/64 L
- 44 ...07-9607...BEARING CUPS WITH BEARINGS
- 45 ...07-9610...BEARING SPACERS
- 46 ...07-9625...WEIGHT TUBE 1 7/8 X .25W TUBE X 16" LONG
- 47 ...07-9727...SHEET METAL ADJ.SEAT BACK
- 48 ...08-5066...PIVOT SPACER 3/4 X 11 GA TUBE 3.985
- 49 ...09-1101...HAND GRIP 1.438 LD. X 4" OPEN END
- 50 ...09-2090...2 X 3 FRAME PLUG
- 51 ...09-3055...2 X 4 FRAME PLUG
- 52 ...09-3064...HOLE PLUG 1/2 DIA WHITE
- 53 ...09-3066...1 1/4" WHITE HOLE PLUG
- 54 ...09-3090...HOLE PLUG BLACK
- 55 ...09-3091...HOLE PLUG YELLOW
- 56 ...09-3097...CAP VINYL WHITE
- 57 ...09-4064...WEIGHT STORAGE, 1.875 ID X 3/4 X 3" OD RUBBER
- 58 ...09-5010...DOCK BUMPER
- 59 ...09-5045...NEW RECTANGULAR FOOTPAD
- 60 ...09-9520...GRIP CAP ALUMINUM 1 1/2" BAR
- 61 ...09-8172...1 3/4 DIA HOLE PLUG BLACK
- 62 ...09-9060...SLEEVE, BAR STORAGE
- 62A ...09-9610...TUBE INSERT



- | COMP#             | COMPONENT DESCRIPTION                                |
|-------------------|--|
| 63 ...12-1026...  | KEEP HANDS AWAY (YELLOW)                             |
| 64 ...12-1380...  | INSPECTION STICKER DECAL                             |
| 65 ...12-1185...  | DECAL NAUTILUS GREY                                  |
| 65A ...12-5366... | INSTRUCTIONAL PLACARD P3TE                           |
| 66 ...19-1014...  | TAPE DOUBLE SIDED 2" (2 PCS X 4 1/2" L & 1 PC 7" L)  |
| 67 ...19-1291...  | DECAL SERIAL # BAR CODE                              |
| 68 ...19-5232...  | PARTS DIAGRAM "P3" TE                                |
| 69 ...24-6035...  | 1" BELT MA TO WT ARM 6.667÷2 L.                      |
| 70 ...46-3032...  | EXTENSION SPRING                                     |
| 71 ...UP719...    | STD. SLIPCOVER                                       |
| 72 ...UP723...    | ELBOW PAD SLIPCOVER                                  |
| 73 ...UP8028...   | ELBOW PAD LEFT                                       |
| 74 ...UP8029...   | ELBOW PAD RIGHT                                      |
| 75 ...UP8085...   | BC/TE SEAT BACK                                      |
| 76 ...UP8145...   | BC/TE SEAT BOTTOM                                    |
| OPT-WT-BAR08      |  |
| P3CR              | WEIGHT STORAGE KIT                                   |
| 77 ...07-7014...  | PIN COILED 1/4 DIA. X 1 1/2 L. HEAVY DUTY            |
| 78 ...07-9721...  | WEIGHT STORAGE PIN 1 1/4 DIA CR X 19" LONG ZINC      |
| 79 ...09-4000...  | P3 NUMBER PLUG 5 lb                                  |
| 80 ...09-4001...  | P3 NUMBER PLUG 10 lb                                 |
| 81 ...09-4002...  | P3 NUMBER PLUG 25 lb                                 |
| 82 ...09-4003...  | P3 NUMBER PLUG 45 lb                                 |
| 83 ...09-4066...  | WEIGHT STORAGE, 1.250 ID X 3/4 X 3" OD MOLDED BUMPER |
| 84 ...10-1022...  | EXTENSION SPRING                                     |
| 85 ...07-5028...  | ELBOW BRACKET  |
| 86 ...07-9662...  | SPACER SLEEVE  |
| 87 ...12-1104...  | SEAT DECAL 5/8 X 1/2 INCR.                           |
| 88 ...09-4077...  | MOLDED SQUARE BUSHING 3/4 ID                         |
| 89 ...02-4065...  | BOLT 1/4-20 X 2 3/4 SLOTTED                          |
| 90 ...09-6080...  | STD SEAT METAL SHEET FORMED                          |
| 91 ...09-8000...  | MOLDED CAM FERREUL                                   |
| 92 ...09-3072...  | HOLE PLUG 3/8 DIA                                    |
| 93 ...09-1003...  | 5/8 OD X 3" GRIP (YELLOW)                            |
| 94 ...12-1167...  | DECAL SEAT ADJ. (1 - 6)                              |
| 95 ...12-1001...  | SEAT INDICATOR ARROW BLACK                           |
| 96 ...12-1166...  | DECAL SEAT ADJ. INSTRUCTIONS                         |

RED: PAINTED ITEMS  
 \_\_\_\_\_ Trolleys / Machine



52 09-3064 7/16" HOLE PLUG  
 09-3066 1-1/4" HOLE PLUG  
 (USED WITHOUT WEIGHT STORAGE PIN KIT.)  
 53

*Last Rev Date: 03/07/07*

**P3TE  
 TRICEPS EXTENSION  
 Nautilus Parts Diagram**